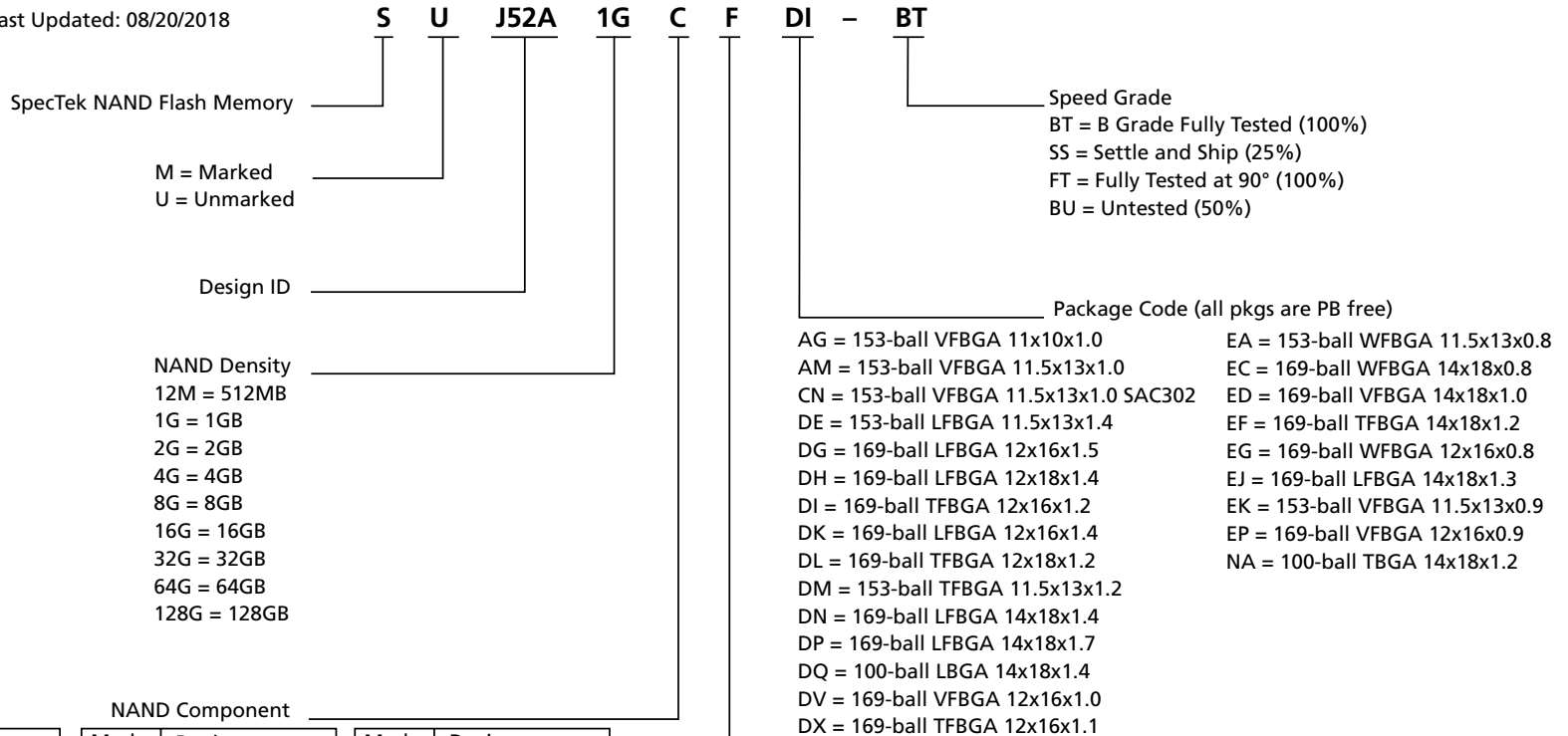


SpecTek Flash + Controller Part Numbering System



aka e-MMC and custom card part numbers

Last Updated: 08/20/2018



NAND Component

Mark	Device
1	4Gb x8 1.8V
A	2Gb x8 1.8V
B	4Gb x8 3.3V
C	8Gb x8 3.3V
D	8Gb x8 3.3V
E	16Gb x8 3.3V
F	4Gb x8 / x16
G	16Gb x8 3.3V
H	32Gb x8 3.3V
J	64Gb x8 3.3V
K	32Gb x8 3.3V
L	32Gb x8 3.3V
M	16Gb x8 3.3V
N	4Gb x8 3.3V

Mark	Device
P	8Gb x8 3.3V
Q	32Gb x8 3.3V
R	64Gb x8 3.3V
T	
U	
V	
W	
X	
Y	
Z	
AA	64Gb x8 3.3V
AB	32Gb x8 3.3V
AC	32Gb x8 3.3V

Mark	Device
AD	64Gb x8 3.3V
AE	64Gb x8 3.3V
AF	128Gb x8 3.3V
AG	128Gb x8 3.3V
AH	64Gb x8 3.3V
AJ	128Gb x8 3.3V
AK	64Gb x8 3.3V
AL	8Gb x8 3.3V
AM	8Gb x8 3.3V
AN	128Gb x8 3.3V
AO	32Gb x8 3.3V
AP	16Gb x8 3.3V

Controller ID (see next page for details)

Mark	Controller ID
A	Rev 1
B	Rev 2
C	Rev 3
D	Rev 4
E	Rev 5
F	Rev 6
G	Rev 7
H	Rev 8
I	Rev 9
J	Rev 10
K	Rev 11
L	Rev 12
M	Rev 13

Mark	Controller ID
N	Rev 14
P	Rev 15
Q	Rev 16
R	Rev 17
S	Rev 18
T	Rev 19
U	Rev 20
V	Rev 21
W	Rev 22
X	Rev 23
Y	Rev 24
Z	Rev 25

Mark	Controller ID
AA	Rev 26
AC	Rev 28
AD	Rev 29
AE	Rev 30
AF	Rev 31
AG	Rev 32
AH	Rev 33
AJ	Rev 34
AK	Rev 35
AL	Rev 36
AM	Rev 37
AN	Rev 38

SpecTek Flash + Controller Part Numbering System

aka e-MMC and custom card part numbers



CONTROLLER DECODER

REV Letter	Controller Vendor	ASIC Vendor	ASIC Firmware Rev	ASIC Firmware Mode	Protocol Version	MMC Interface Speed	Channels on Substrate	Direct NAND Access
A	Skymedi	SK6632			MMC4.2	52	dual	Yes
B	LAMD	LM8990			MMC4.5	200	dual	Yes
C	Phison	PS8210	DC	ESG PB	MMC4.51			
D	Phison	PS8200	FF	Combo + RWPI	MMC4.41			
E	Skymedi	SK6621			MMC4.2	52	single	Yes
F	Skymedi	SK6621			MMC4.2	52	dual	Yes
G	Phison	PS8200	EE/FF	PL Reg	MMC4.41			
H	Phison	PS8210		Standard	MMC4.51			
I	Phison	PS8210	DC	ESG BB	MMC4.51			
J	Skymedi	SK6621			MMC4.0		dual	Yes
K	Skymedi	SK6626			various		dual	Yes
L	Phison	PS8210		CUSTOM FW	MMC4.51			
M								
N	Micron	CM014			MMC4.4	52	dual	Yes
P	Micron	CM015			MMC4.4	52	dual	Yes
Q	Skymedi	SK6632			MMC4.4	52	dual	Yes
R	Skymedi	SK6811	BB	Standard	MMC4.41	52	dual	Yes
S	Phison	PS8200	EE	Standard	MMC4.41			
T	Phison	PS8200	EF	Enhanced	MMC4.41			
U	Phison	PS8200	EF	Combo	MMC4.41			
V	Phison	PS8200	EF	Combo + RWPI	MMC4.41			
W	Phison	PS8210	BB	PL Reg	MMC4.51			
X	Phison	PS8200	EF	Enhanced Plus	MMC4.41			
Y	Phison	PS8210		PL Reg	MMC4.41			
Z	Phison	PS8210	BB	ESG	MMC4.51			
AA	Phison	PS8210	DC		MMC4.51			
AC	Phison	PS8210	DC		MMC4.41			
AD	Phison	PS8220	CC		MMC4.51			
AE	Phison	PS8222			MMC5.0			
AF	Marvell	88NV1088	B0		MMC5.0			
AG	Marvell	88NV1132						
AH	Phison	PS8225			MMC5.1			
AJ	Phison	PS8225			MMC5.0			
AK	SM	SM2750	AB	Standard	UFS2.1			
AL	Phison	PS8226	CC	Standard	MMC5.1			
AM								
AN								